

VERTEX S.A.

43-502 Czechowice-Dziedzice
ul. Bestwińska 25

NIP: 638-15-32-552

tel.: +48 (032) 214 53 30(31)

fax: +48 (032) 214-53-40

poczta@vertex.pl

www.vertex.pl

ASSEMBLY INSTRUCTION

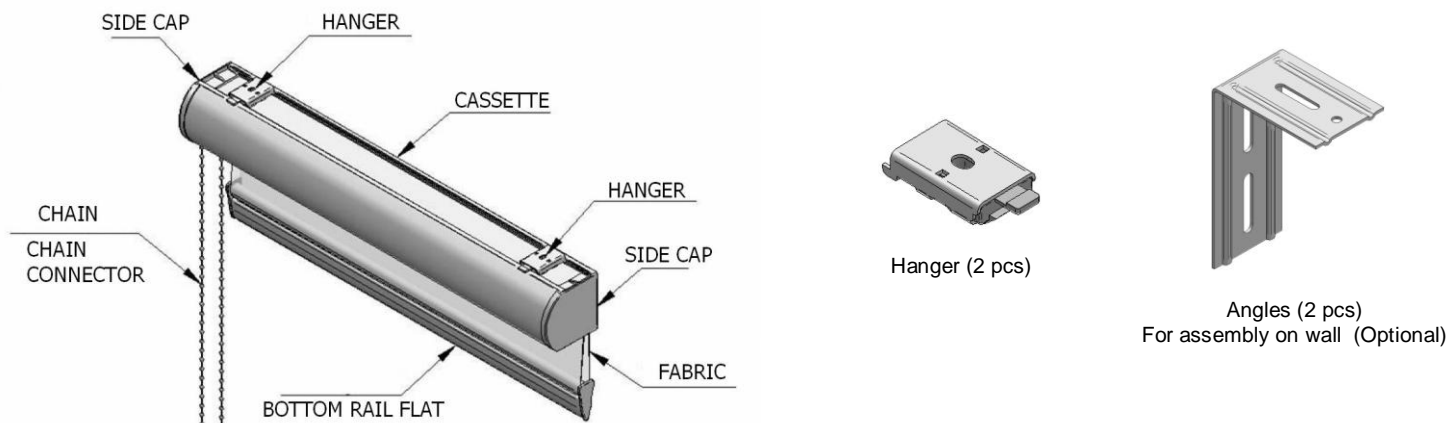
ROLLER BLIND

DAY/NIGHT



Vertex S.A.

Components:

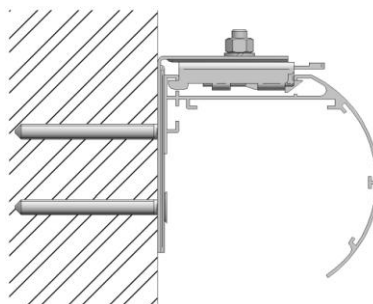


Assembly:

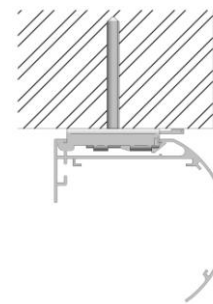
Possibilities of assembly:

- on wall (pic 1)
- horizontal, to the ceiling (pic 2)

For assembly use wall plugs
(wall plugs are not included)



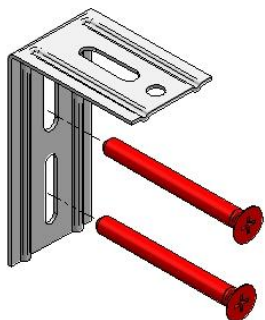
Picture 1



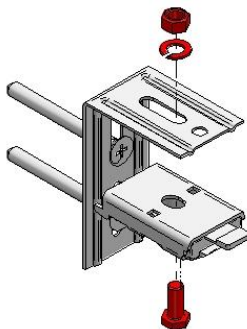
Picture 2

Assembly to the wall:

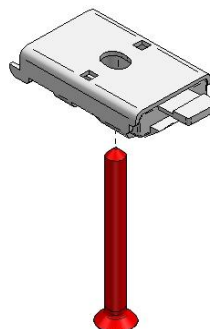
1. Mark on the wall places for wall plugs
2. Mount angles to the wall with wall plugs (pic 3)
3. Screw hangers to the angles with: bolts M5x15, spring pad and bolt-nut (pcs 4)
4. Insert blind into hangers by clipping into cassette (pic 6)
5. Center the blind on the window



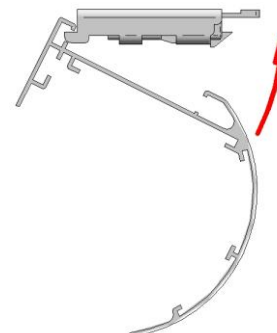
Picture 3



Picture 4



Picture 5



Picture 6

Assembly to the ceiling:

1. Mark on the ceiling places for wall plugs
2. Mount angles to the ceiling with wall plugs (pic 5)
3. Insert blind into hangers by clipping in cassette (pic 6)
4. Center the blind on the window