

VERTEX S.A.

43-502 Czechowice-Dziedzice
ul. Bestwińska 25 Poland
NIP: 638-15-32-552
tel.: +48 (032) 214 53 30(31)
fax: +48 (032) 214-53-40
e-mail: poczta@vertex.pl
www.vertex.pl

ASSEMBLY INSTRUCTION

ROLLER BLIND

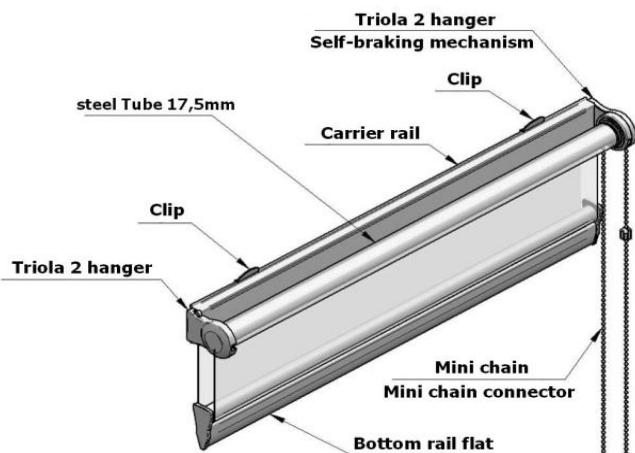


DAY-NIGHT



Vertex S.A.

Components:



OPTIONAL:



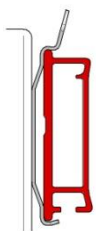
Assembly on window:

Standard assembly (with screws):

1. Assembly is possible on window frame or in window niche.
2. Place the blind on the window/window niche in the correct place.
3. Level the blind – **NOTICE: wrong level of the blind could cause problems with closing the blind fabric.**
4. Mark places for the screws.
5. Mount the clips to the window with screws 2,5x12 (pic.1), clip in the carrier rail (pic.2)
6. Clip the mini chain connector in a place that will prevent the fabric to roll-out.
7. Center the blind on the widow.(pic.3)



Picture 1



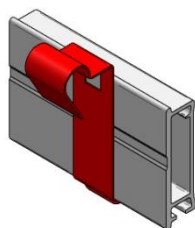
Picture 2



Picture 3

Non-invasive assembly:

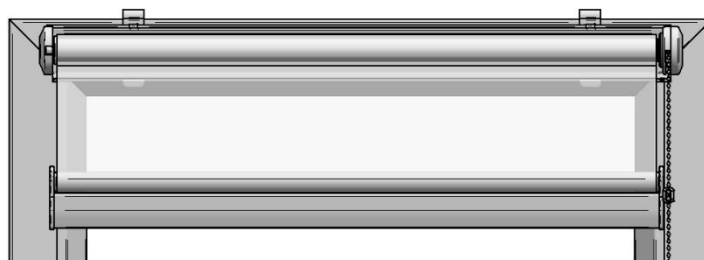
1. Non-invasive hangers are already mounted on the carrier rail (pic. 4)
2. Hang the blind on the widow frame (pic.5)
3. Clip the mini chain connector in a place that will prevent the fabric to roll-out.
4. Center the blind on the widow (pic.6)



Picture 4



Picture 5



Picture 6